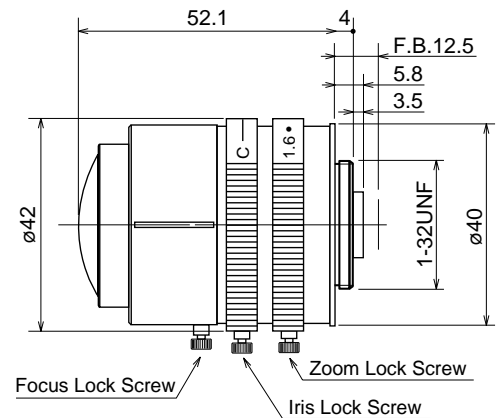


L163VCS – (Manual Iris)

1.6~3.4mm F1.4 – CS-Mount

Compatible with 1/3" & 1/4" Cameras

Focal Length:	1.6~3.4mm
Max. Relative Aperture:	1:1.4
Iris:	F1.4~Close
Angular Field of View:	1/3": 180.0° × 114.1° at 1.6mm 84.3° × 55.8° at 3.4mm 1/4": 140.0° × 88.9° at 1.6mm 67.4° × 43.5° at 3.4mm
Min. Object Distance (M.O.D.):	0.05~0.2m (From Front Vertex)
Optical Back Focal Distance:	7.07~11.55mm (In Air)
Operation:	Zoom: Manual Focus: Manual Iris: Manual
Operation Temperature:	-10 ~ +50°C (+14 ~ 122° F)
Filter Size:	None
Size, Approx. Weight:	ø42 × 52.1mm, 98g (Approx. ø1.7 × 2.1in., 3.5oz.)

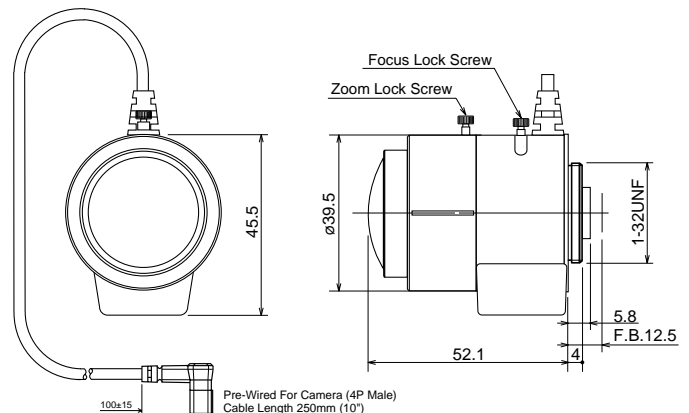


L163VDC4P – (DC-type auto-iris with 4-pin)

1.6~3.4mm F1.4 – CS-Mount

Compatible with 1/3" & 1/4" Cameras

Focal Length:	1.6~3.4mm
Max. Relative Aperture:	1:1.4
Iris:	F1.4~Approx. F360 With ND Spot Filter
Angular Field of View:	1/3": 180.0° × 114.1° at 1.6mm 84.3° × 55.8° at 3.4mm 1/4": 140.0° × 88.9° at 1.6mm 67.4° × 43.5° at 3.4mm
Min. Object Distance (M.O.D.):	0.05~0.2m (From Front Vertex)
Optical Back Focal Distance:	7.06~11.54mm (In Air)
Operation:	Zoom: Manual Focus: Manual Iris: IG (Auto-Close System)
Operation Voltage:	Close to Open: Less than 3V Open to Close: More than 0.5V
Operation Temperature:	-10 ~ +50°C (+14 ~ 122° F)
Filter Size:	None
Mount:	CS-Mount (Adjustable Lens Postion)
Size, Approx. Weight:	39.5 × 45.5 × 52.1mm (w/h/d), 105g (Approx. 1.6 × 1.8 × 2.1in., 3.7oz.)



Camera Connector Wiring

1 3	Pin	Signal
2 4	1	Brake – *
	2	Brake + *
	3	Drive +
	4	Drive –

* Also referred to as DAMP, CONTROL, or DUMP